

Parts List

Poseidon Discovery

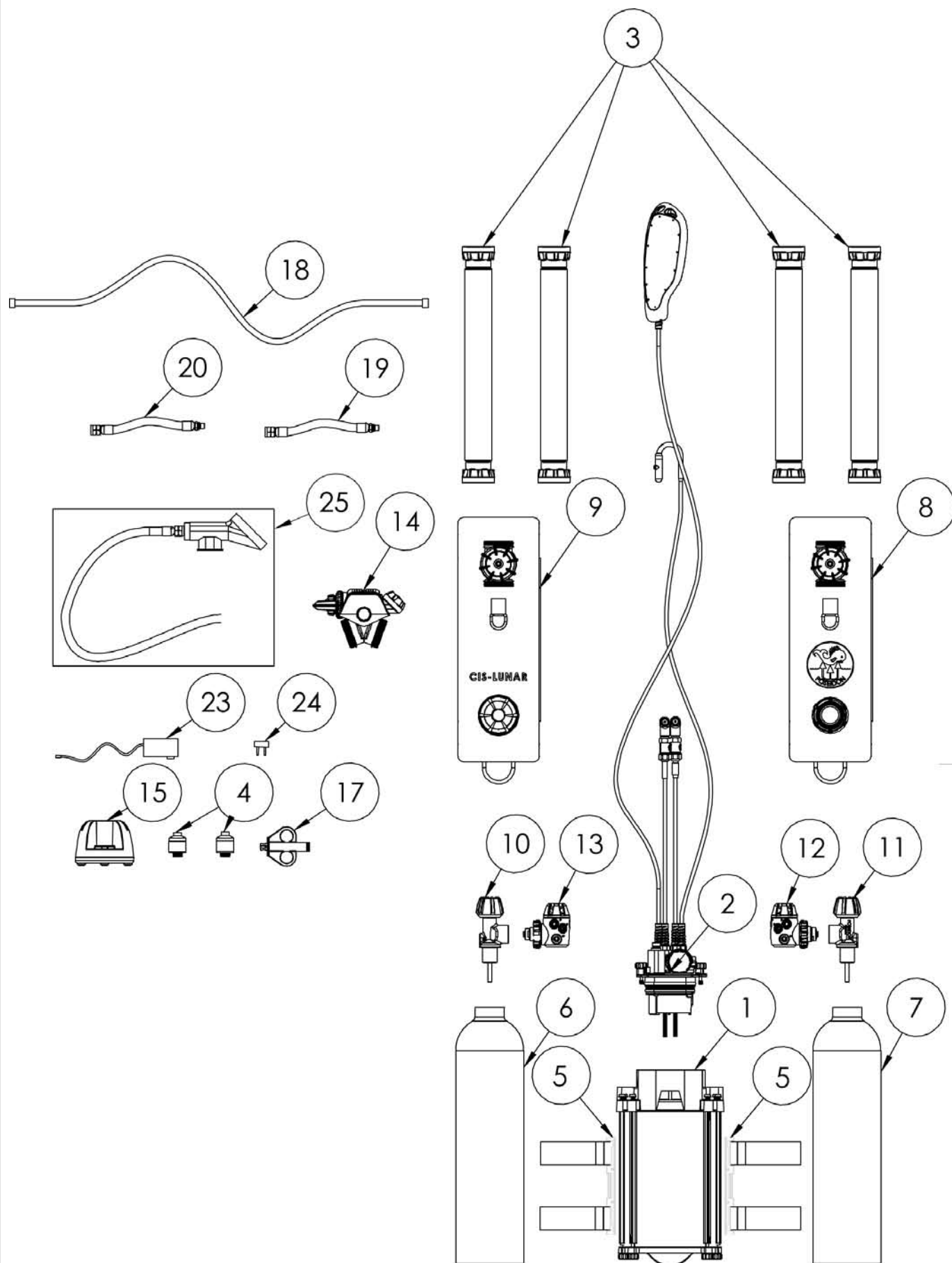


Table of content

1. Complete unit	
6011-000 Discovery EU	3
6011-000 Discovery EU	4
2. O-ring kits	5
Accessories	5
3. Low pressure hoses	6
4. Mouthpiece	
Mouthpiece: 6011-001	7
Mouthpiece: Membrane holder complete (6010-013)	8
5. Breathing loop	
Breathing loop components: 6010-020 Right counter lung (Exhalation)	9
Breathing loop components: 6010-021 Left counter lung (Inhalation)	10
Breathing loop components: 6010-011 T-section	11
Breathing loop components: 0132-002 CC hose (x 4)	12
6. Canister housing	
6011-011 Molprod Bottom	13
6011-012 Molprod Top	14
0000-467 Cylinder bracket, complete	15
7. Electronics	
6010-047 Electronics module	16
6011-005 Battery pack and 6011-015 Battery charger	17

1. Complete unit

6011-000 Discovery EU



1. Complete unit

6011-000 Discovery EU

Nmbr	Item #	Description	Qty
1	6011-003	Roundpack	1
2	6010-047	Electronics module, complete (including battery pack)	1
	6011-005	Battery pack	1
3	0132-002	CC hose complete	4
4	2010-206	O2 sensor	2
5	0000-467	Cylinder bracket Cpl	2
6	0400-100	3L Aluminum 200 bar cylinder DIL	1
7	0400-101	3L Aluminum 200 bar cylinder O2	1
8	6010-021	Counter lung left (inhalation)	1
9	6010-020	Counter lung right (exhalation)	1
10	0410-100	Tank valve 200 bar DIL (black)	1
11	0410-101	Tank valve 200 bar O2 (white)	1
12	0110-002	Xstream Oxygen 1st stage O2 (M26)*	1
	0110-003	or Xstream Duration 1st stage O2 (G 5/8")**	1
13	0110-000	Xstream Deep 1st stage DIL	1
14	6011-001	Mouthpiece	1
15	6011-015	Battery charger	1
16	0100-006	Jetstream Octopus with LP hose	1
17	6010-311	O2 sensor tool	1
18	0130-004	LP hose 90 cm Milflex	1
19	0130-007	LP hose 16 cm DIL	1
20	0130-018	LP hose 16 cm O2	1
23	6010-290	Power supply for battery charger	1
24	6010-291	Power supply adaptor kit	1
25	0100-006	Jetstream Octopus	1

*EU version only

** US version only

2. O-ring kits

Poseidon has put together special o-ring kits for the MkVI Discovery rebreather. These o-ring kits contains those o-rings that can be replaced by the diver.

- Art nr 0009-003: O-ring kit Mouthpiece
- Art nr 0009-004: O-ring kit Breathing loop
- Art nr 0009-005: O-ring kit Cartridge housing
- Art nr 0009-006: O-ring kit Electronics unit
- Art nr 0009-007: O-ring kit Banjo 90 DIL
- Art nr 0009-008: O-ring kit Banjo 90 O2

Please note that replacing these o-rings does not replace the need for a servicing the unit and its parts and they should only be regarded as spare o-ring.

EN 144-3

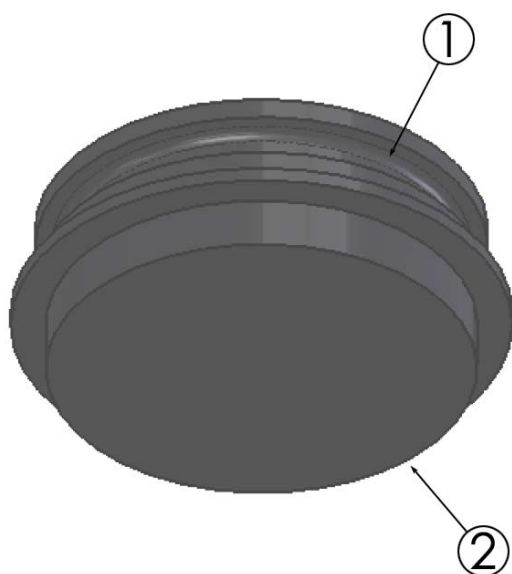
The European (EU) version of the MkVI Discovery is delivered with an Xstream Oxygen 1st stage that conforms to the EN 144-3 standard. That version has a DIN M26 connection thread.

All non-EU versions are delivered with an Xstream Duration 1st stage with a DIN G5/8 connection thread.

2. Accessories

A usefull accessory for storage of the unit is a CC loop blinding plug, that can be used to seal off the canister housing. Sold in pairs of two.

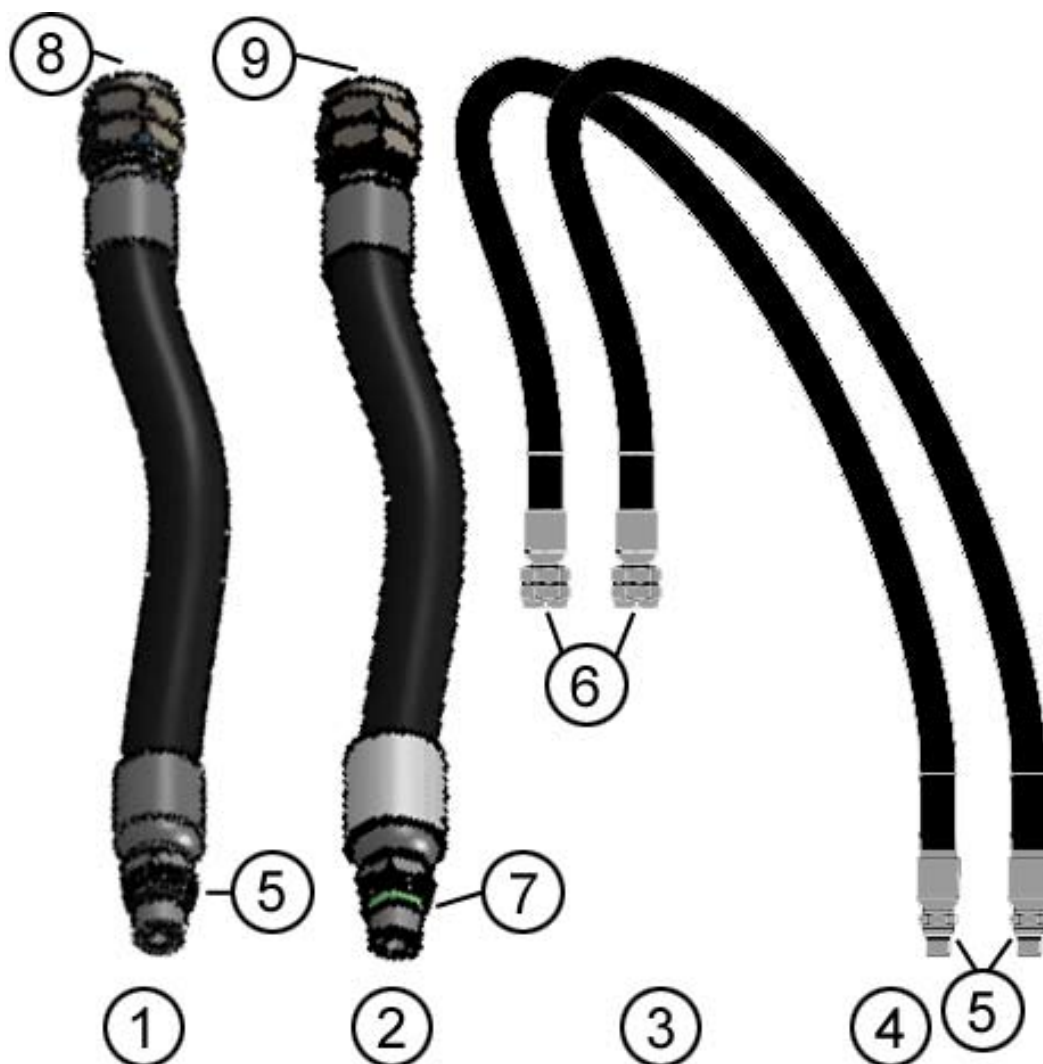
- Art nr 0000-368: Blinding plug kit, mouthpiece.



Item	Part No	Description	Nmbr
1	0013-261	O-ring	1
2	0000-279	Blinding plug	1

3. Low pressure hoses

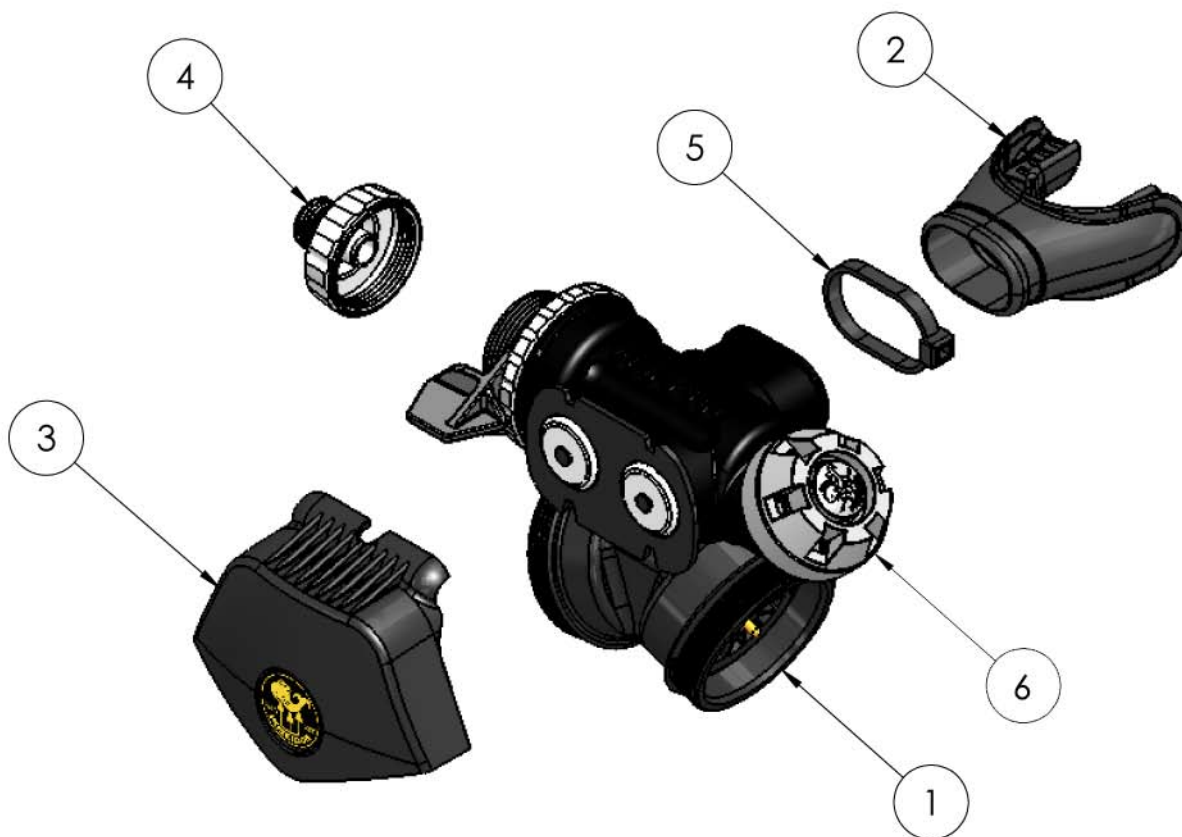
LP Hoses



Item #	Description	Qty
1	0130-017 - LP hose 16 cm DIL	1
2	0130-018 - LP hose 16 cm O2 (White - EU version)	1
2	0130-019 - LP hose 16 cm O2 (Green - US version)	1
3	0130-004 - LP hose "Milflex" 9/16-18 90cm	1
4	0130-002 - LP hose Mk3 - 9/16-18 90cm (Octopus)	1
5	2782 - O - ring	1
6	1156 - O-ring	1
7	2782 59 O-ring Viton	1
8	1156 - O-ring	1
9	1156 59 - O-ring Viton	1

4. Mouthpiece

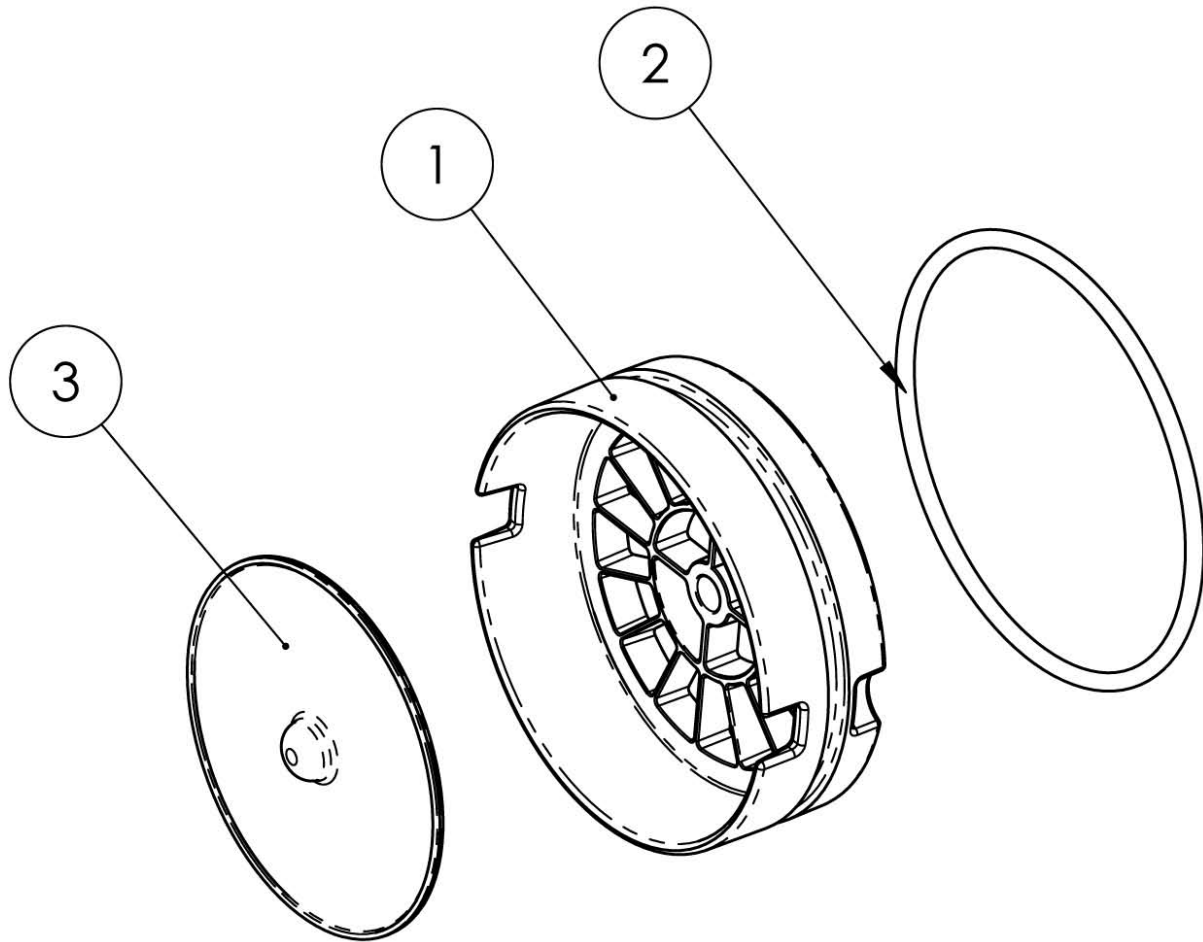
Mouthpiece: 6011-001



Item #	Article #	Description	Qty
1	6010-000	Mouthpiece house assembly	1
2	4532	Mouthpiece AIR	1
3	6010-005	OC outlet	1
4	0000-130	Hose adapter	1
5	1167	Cable tie	1
6	4536	Diaphragm cover	1

4. Mouthpiece

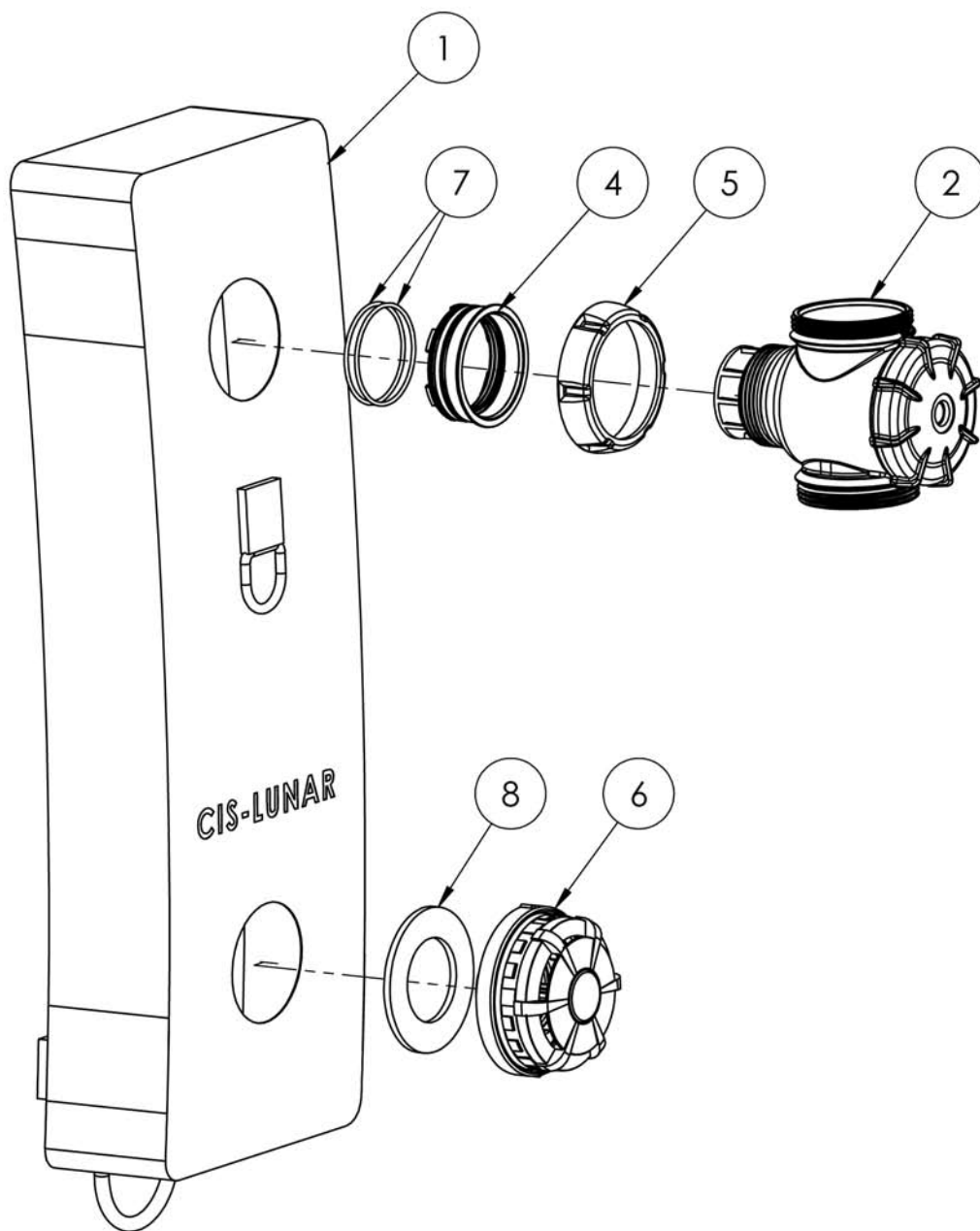
Mouthpiece: Membrane holder complete (6010-013)



Item #	Article #	Description	Qty
1	6010-116	Membrane holder	1
2	0010-032	O-ring	1
3	6010-268	Air membrane	1

5. Breathing loop

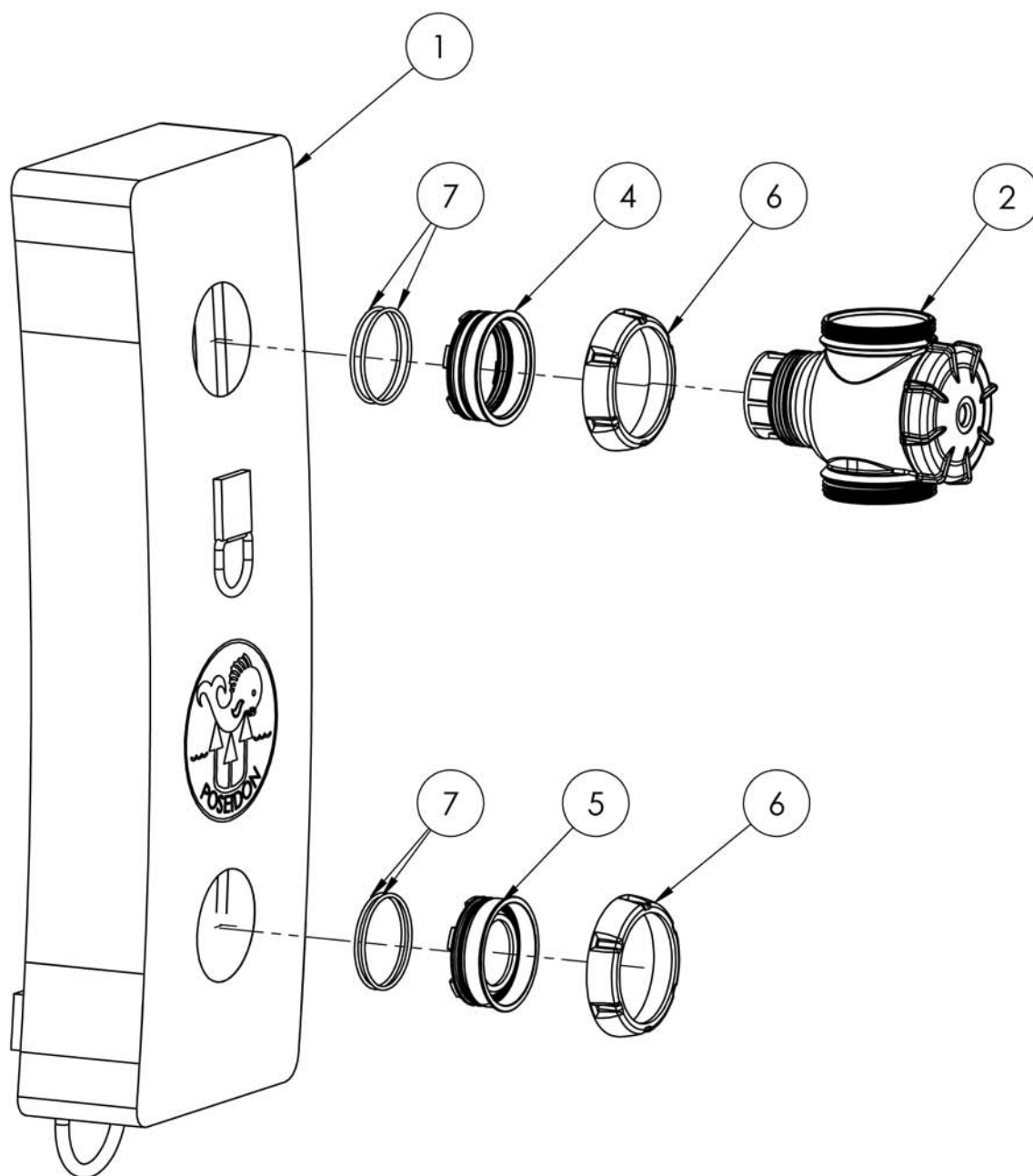
Breathing loop components: 6010-020 Right counter lung (Exhalation)



Item	Part No	Description	Nmbr
1	6010-008	Lung shell right	1
2	6010-011	T-Section	1
3	6010-018	Innerbladder right	1
4	6010-133	T-Lunginsert	1
5	6010-277	Ring nut valve insert	1
6	0000-180	Automatic outlet valve	1
7	0013-187	O-ring	2
8	0000-182	Valve patch Flexisuit	1

5. Breathing loop

Breathing loop components: 6010-021 Left counter lung (Inhalation)



Item	Part No	Description	Nmbr
1	6010-009	Lung shell left	1
2	6010-011	T-Section	1
3	6010-019	Innerbladder left	1
4	6010-133	T-Lunginsert	1
5	6010-273	Blind insert	1
6	6010-277	Ring nut valve insert	2
7	0013-187	O-ring	4

5. Breathing loop

Breathing loop components: 6010-011 T-section

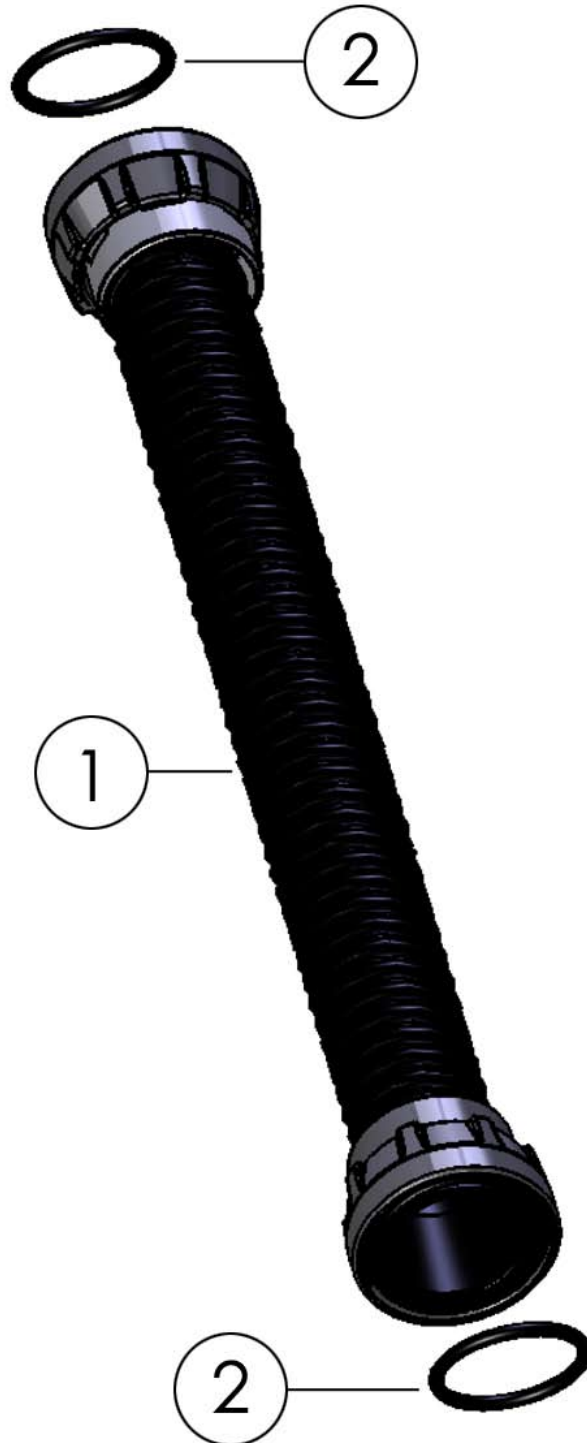


Item	Part No	Description	Nmbr
1	6010-131	T-top	1
2	6010-130	T-Bone	1
3	0010-140	O-ring	1
4	0014-034	O-ring	1

5. Breathing loop

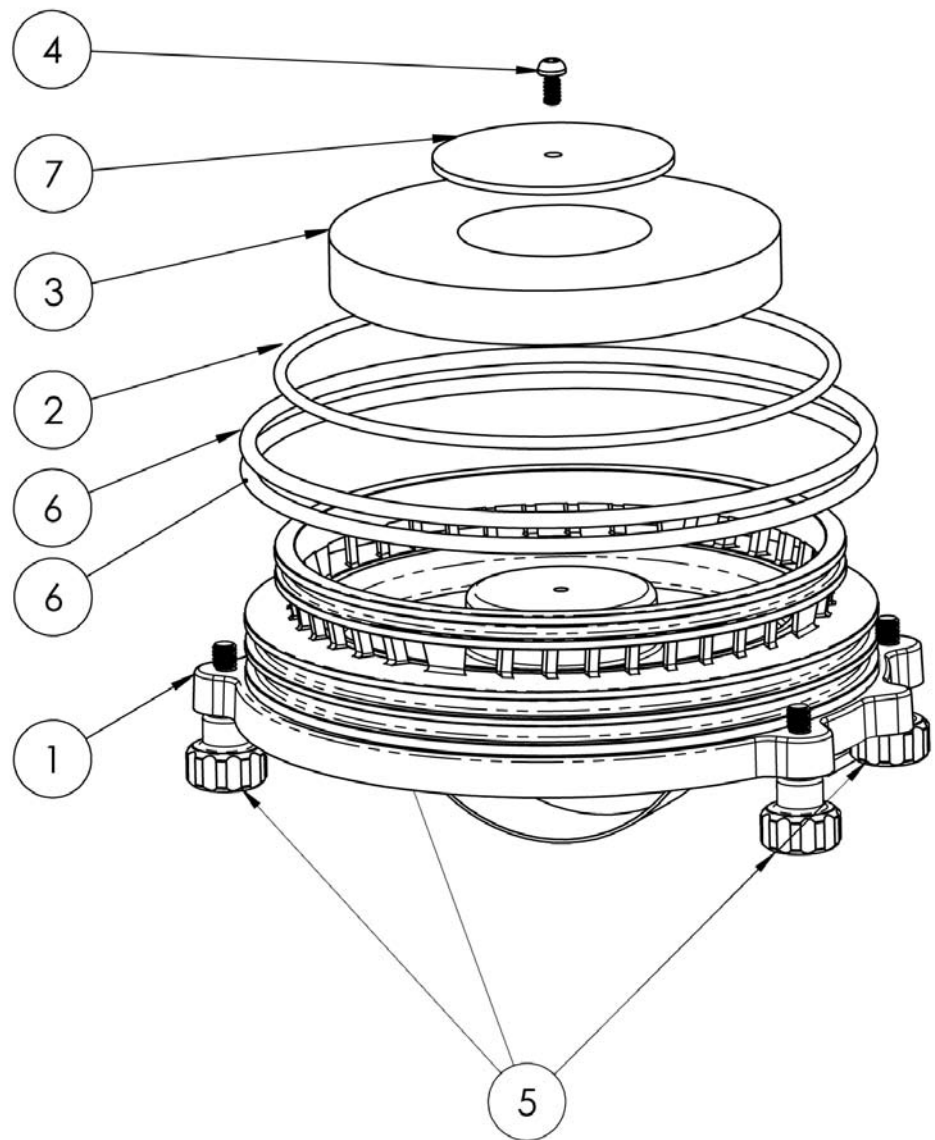
Breathing loop components: 0132-002 CC hose (x 4)

Item	Part No	Description	Nmbr
1	0132-002	CC hose	1
2	0013-261	O-ring	2



6. Canister housing

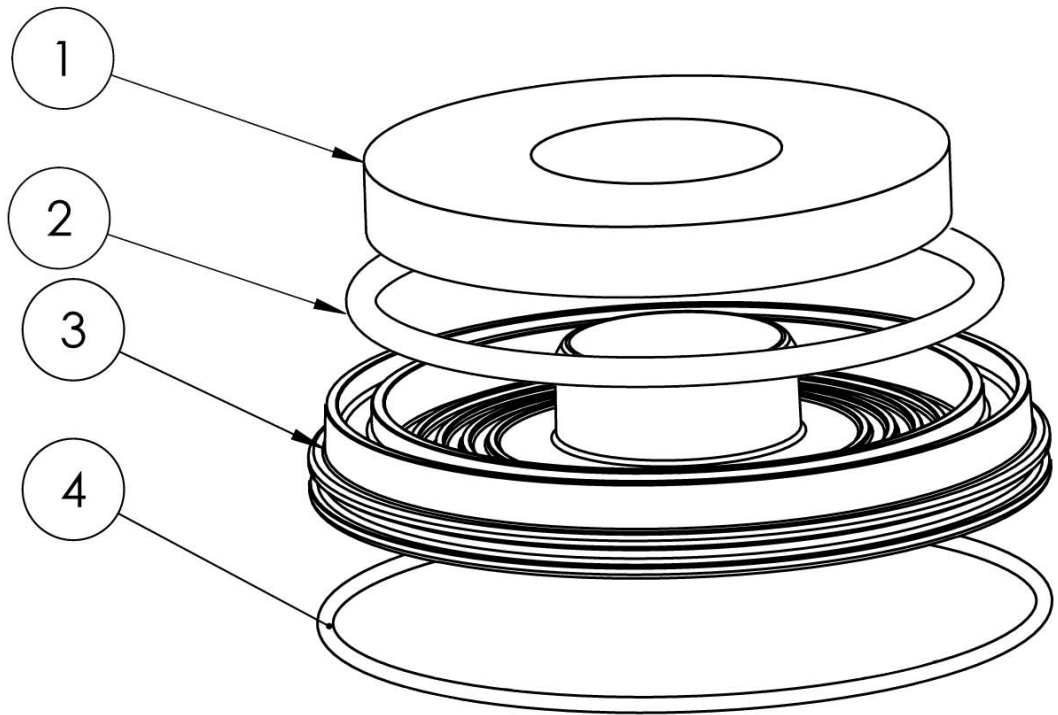
6011-011 Molprod Bottom



Item	Part No	Description	Nmbr
1	6010-214	Can bottom	1
2	0013-097	O-ring	1
3	6010-236	Sponge	1
4	0310-108	Screw Delta PT 40x8	1
5	6010-176	Screw foot	4
6	0015-533	O-ring	2
7	6010-264	Sponge washer	1

6. Canister housing

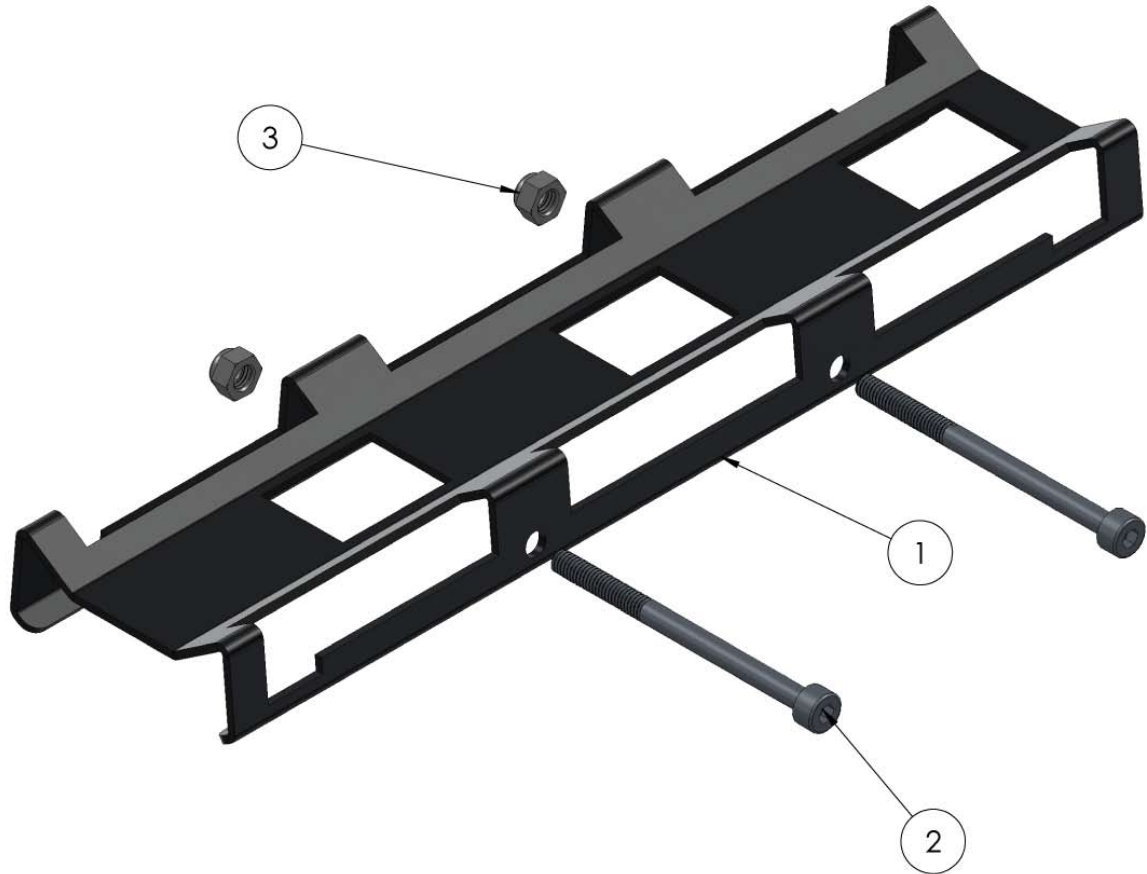
6011-012 Molprod Top



Item	Part No	Description	Nmbr
1	6010-236	Sponge	1
2	0013-118	O-ring	1
3	6010-215	Can top	1

6. Canister housing

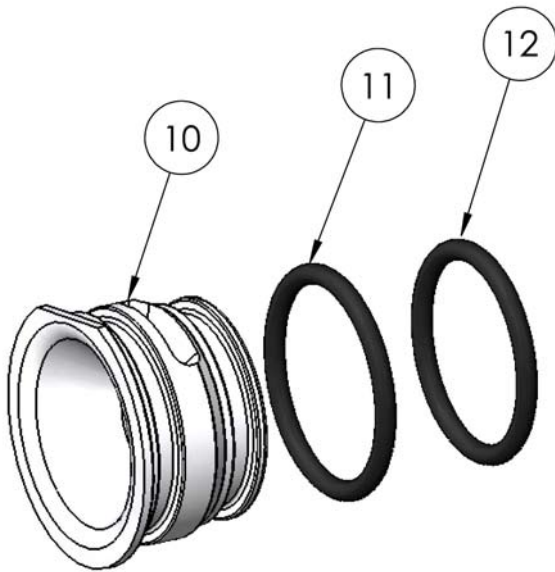
0000-467 Cylinder bracket Complete



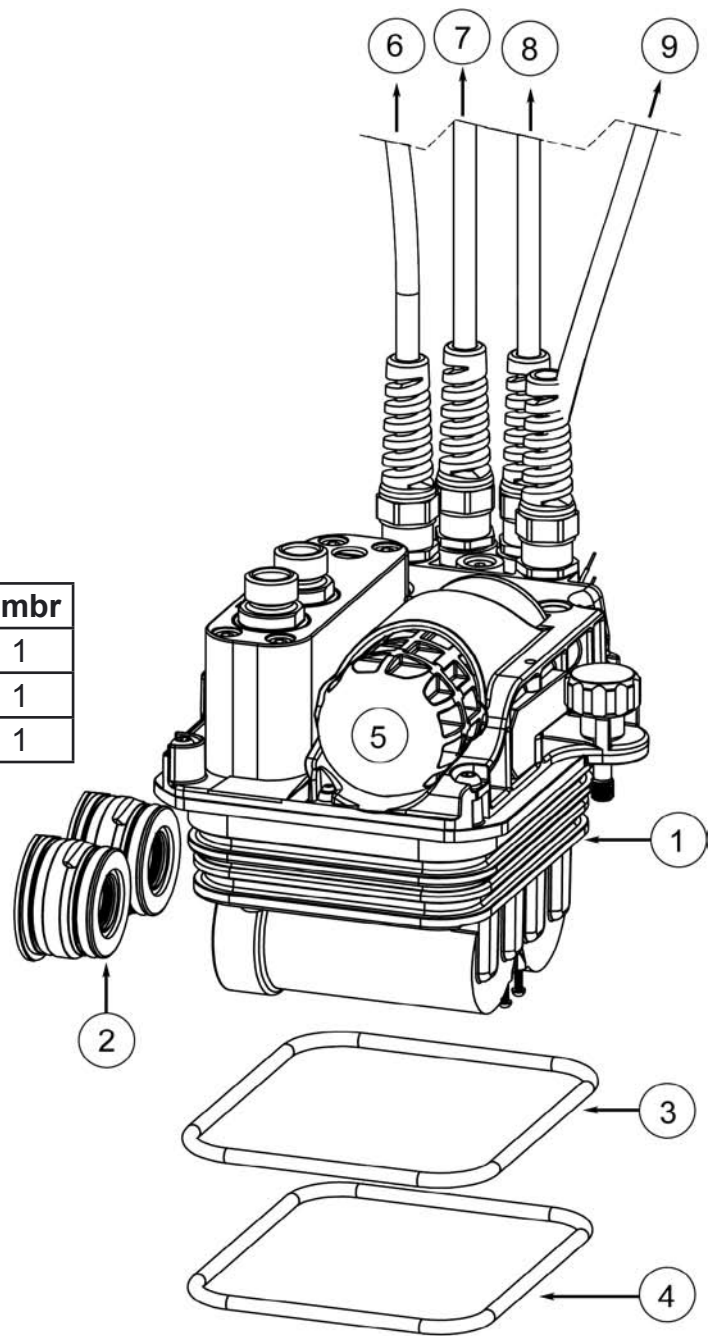
Item	Part No	Description	Nmbr
1	0000-257	Cylinder bracket	2
2	0001-096	MC6S M4x55 screw	4
3	0003-043	M4 Lock nut DIN-985	4

7. Electronics

6010-047 Electronics module



Item	Part No	Description	Nmbr
10	6010-205	O2 sensor base	1
11	0013-215	O-ring	1
12	0013-214	O-ring	1



Item	Part No	Description	Nmbr
1	6010-036	Electronica module	1
2	6010-039	2 sensor base compl.	2
3	0015-467	O-ring	1
4	0015-461	O-ring	1
5	6011-005	Battery pack	1
6	6011-004	To the Display	1
7	6010-044	To the HP sensor w. banjo Dil	1
8	6010-045	To the HP sensor w. banjo O2	1
9	6010-014	To the HUD	1

7. Electronics

6011-005 Battery pack and 6011-015 Battery charger



Item	Part No	Description	Nmbr
1	6011-005	Battery pack	1
2	6011-015	Battery charger	1
3	0013-038	O-ring	1